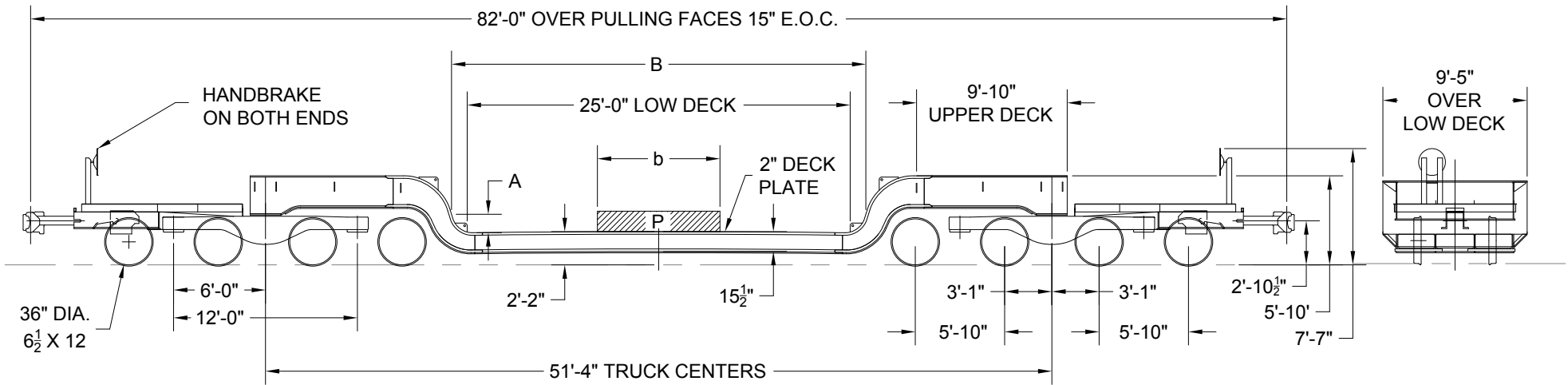
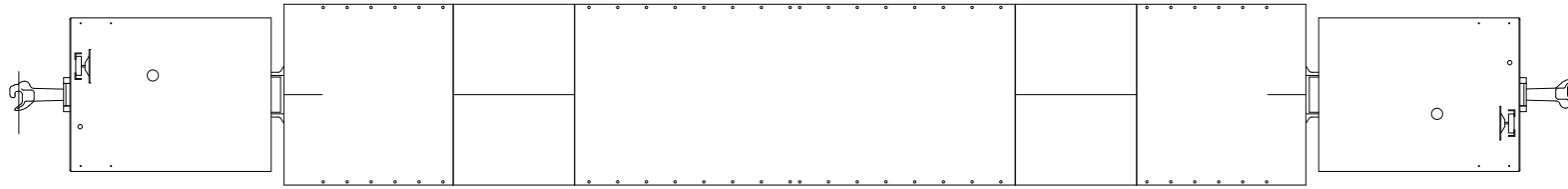


2'-2" DECK HEIGHT ABOVE RAIL IS MEASURED AT CENTER OF CARBODY, INCLUDING CAMBER, WITH A LOAD EQUAL TO 50% OF LOAD LIMIT UNIFORMLY DISTRIBUTED OVER FULL LENGTH OF LOAD DECK.



LOAD LENGTH (FT) (b)	LOAD (1000) (LBS) (P)
0	367.0*
2	374.0
4	381.0
6	389.0
8	397.0
10	406.0
12	415.0
14 & OVER	424.0

* MAX. CONCENTRATED LOAD

CENTER OF GRAVITY - EMPTY = 28" ATR
CLEARANCE PROFILE WITHIN AAR PLATE "C"

BOTTOM OF LOAD ABOVE DECK A	MAX. LENGTH OF LOAD B
12"	26'-10"
18"	27'-2"
24"	27'-8"

CAR NUMBERS QTTX 130557-130567

CAR SERIES	LOAD LIMIT LBS.	LIGHT WEIGHT LBS.
130557-130567	409,800	162,200

TTX		TTX COMPANY CHICAGO, ILLINOIS	
210 TON, 25 FOOT DECK DEPRESSED CENTER FLAT CAR			
CLASS KDH25A	DATE 06-01-00	REV E	9992